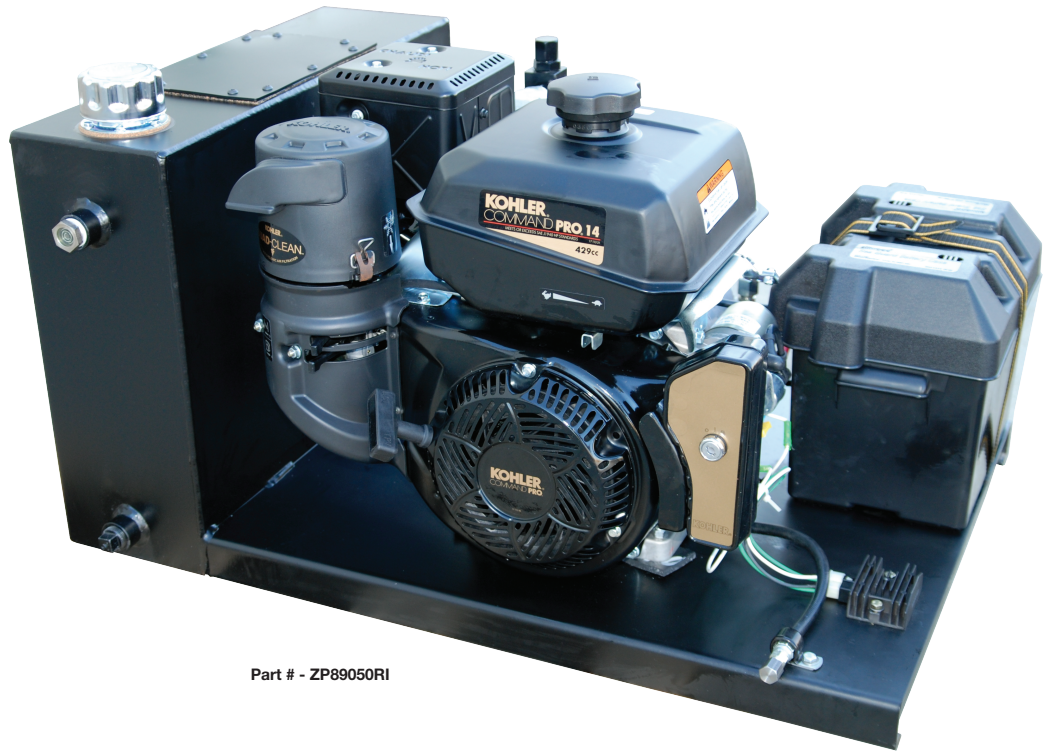


Kohler



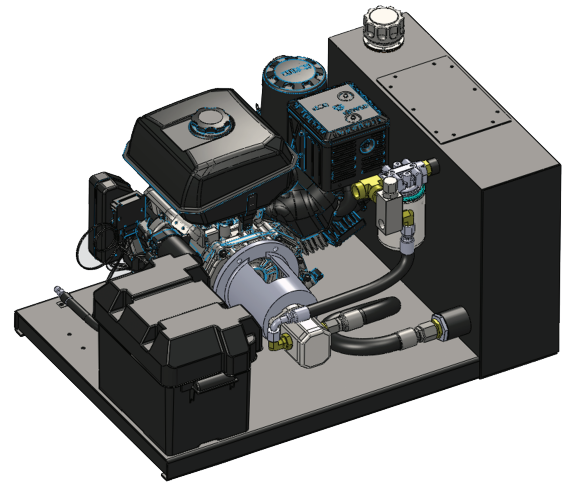
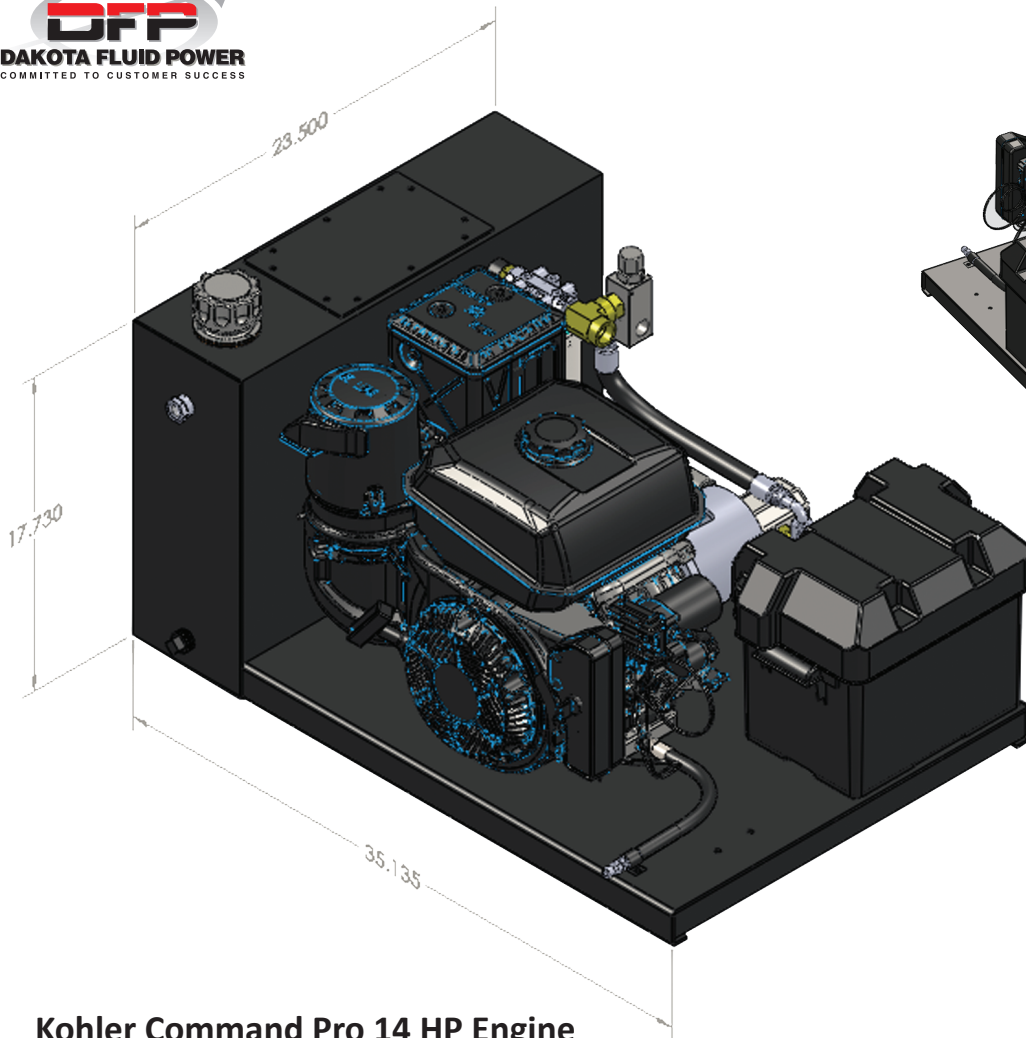
- 6 GPM at 2000 PSI
Up to 3000 PSI
- 40 Micron
Breather
- 10 Micron
Return Filter
- Warm or Cold
Temp Operation
- 10 GAL Hydraulic
Reservoir
- Cooler Running
- Oil Level Sight
Guage
- Reliable Long
Term Operation

Kohler Power Unit



Sold exclusively by Dakota Fluid Power www.dakotafluidpower.com





Kohler Command Pro 14 HP Engine

Warm and cold weather operation

18 amp charging system

Reliable long term operation

Specs:	Displacement	429cc
	Main Bearings	Dual, both PTO & flywheel ends
	Fuel Capacity	1.85 gallon
	Oil Capacity	1.4 qt
	Air Filter	Quad Clean (HD Cyclonic Air Cleaner)
	Warm Air Filtration	Built for operating in cold temps
	Fuel Filtration	3, filler neck, in tank, Carburetor inlet
	Smooth Running	Balanced shaft to ensure smooth operation
	Recoil Starter	12 Volt electric start - Indexable, can be rotated to 6 locations
	Long Term Reliability	Pushrod operated overhead valve



DAKOTA FLUID POWER
COMMITTED TO CUSTOMER SUCCESS

9 locations in the Dakota's, Nebraska & Wisconsin... located to serve you the best.

Sioux Falls 605.338.9982
Aberdeen 605.225.8165
Lincoln 402.465.0290

W. Fargo 701.281.7852
Mandan 701.663.9878
Minot 701.852.0494

La Crosse 608.781.6500
Rapid City 605.716.4750
Grand Rapids 218.326.8910

dakotafluidpower.com